

Product information

Type	:	Touchless wave on dual flush sensor w/ button for close coupled toilet sensor
Full Flush type	:	wave on your hand
Half Flush type	:	Hold your hand 2 sec.
Manual Flush type	:	Push button
Brand Origin	:	United Kingdom
Brand	:	MIKI
Manufacturer Origin	:	P.R.C.
Model code	:	6220-AC 濕電
Model code	:	6220-D-DC 干電
Power	:	DC D size battery x 4 / AC power
Material	:	Round Central : Black finish
Material	:	Round Side : Chrome finish
Sensing range	:	80mm ± 2cm
Response time	:	2 seconds
Sensor eye	:	Ø49mm
Sensor eye hole	:	Ø40mm
Flush valve	:	2" flush valve
HKWSD Approval	:	YES



manual override

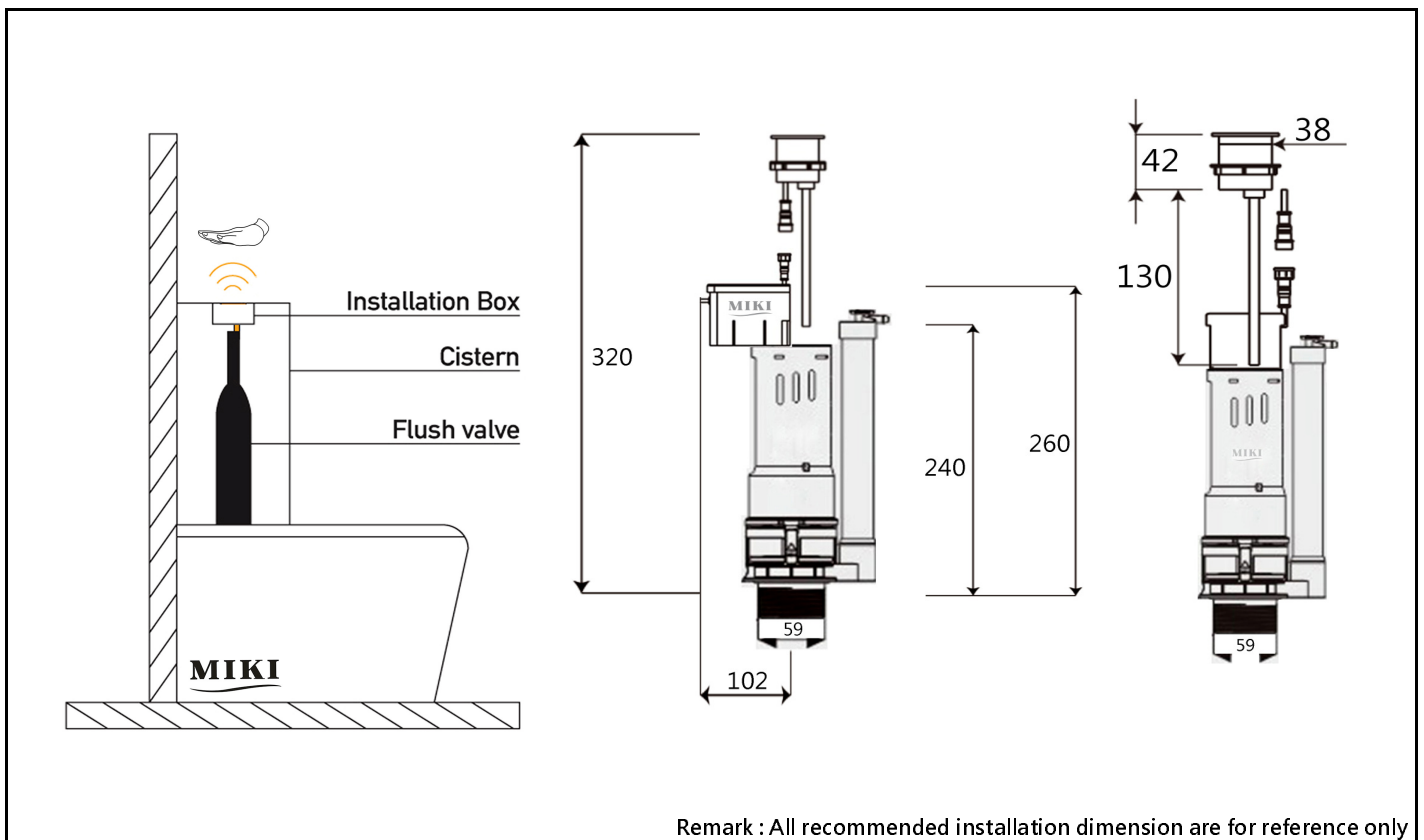


wave on sensor flush

Guide specification : Dual flush sensor valve for close coupled toilet with manual override,

Powered by AC , AC power include AC safety transformer with IP68.

Powered by DC , DC power include DC battery box and D size alkaline battery x 4.



Remark : All recommended installation dimension are for reference only